



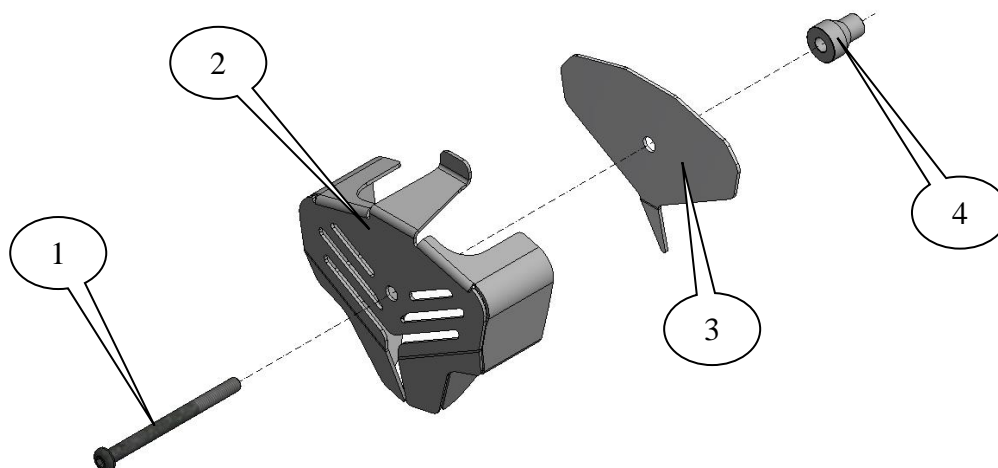
FITTING INSTRUCTIONS FOR ICC0001
IGNITION COIL COVER FOR HARLEY DAVIDSON STREET 500 '14- & STREET 750
'15-



THIS KIT CONTAINS THE ITEMS PICTURED AND LABELLED BELOW.
DO NOT PROCEED UNTIL YOU ARE SURE ALL PARTS ARE PRESENT.

Please note that the way the kit is packed does not necessarily represent the way of mounting to the bike.

THE PARTS SHOWN MAY BE REPRESENTATIVE ONLY (FOR CLARITY OF INSTRUCTIONS ONLY).





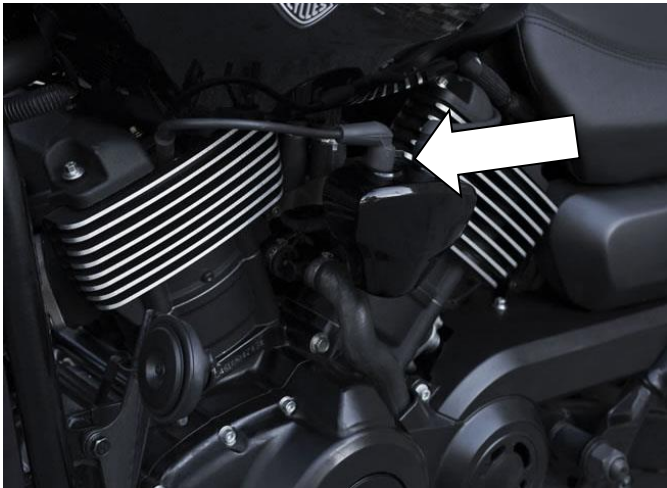
LEGEND

- ITEM 1 = M6 x 75mm LONG BUTTON HEAD BOLT (x1).
 ITEM 2 = ALUMINIUM COVER (SMW0057) (x1).
 ITEM 3 = BRUSHED INSERT (SMW0058) (x1).
 ITEM 4 = SPACER (S0924 - 20.50mm LONG) (x1).

Please note that in cases where kits are packed with rubber washers holding the components onto the bolt –
the rubber washers should be thrown away!

TOOLS REQUIRED

- 4 & 5mm allen key.



Picture 1



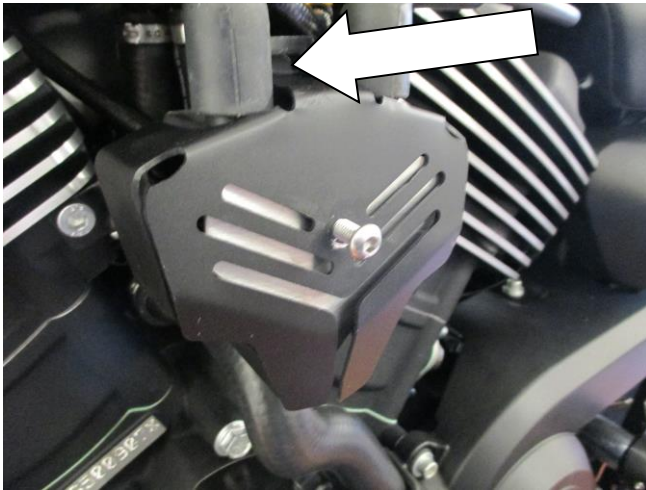
Picture 2



Picture 3



Picture 4



Picture 5



Picture 6

FITTING INSTRUCTIONS

- Remove the OEM plastic coil cover by pulling the bottom outward to release it from the rubber bung, then rotating the part upward to release the plastic tab on the top, as arrowed in picture 1.
- With the cover removed, remove the lower cap head bolt that mounts the coil cover, as shown in picture 2.
- To fit the R&G Coil Cover, take the aluminium cover (item 2 – SMW0057) and locate the M6 x 75mm long button head bolt (item 1) through the mounting hole, as shown in picture 3. On the inside of the cover, position the brushed insert (item 3 – SMW0058), ensuring that the bolt fits through the hole and that the insert sits flat against the inside of the cover.
- Position the spacer (item 4 – S0924 – 20.50mm long) over the exposed thread on the inside of the cover (larger diameter of the spacer must sit against the brushed insert) and offer into position as shown in picture 4.
- Ensure that the bent tab on the top of the cover locates through the slot on the mounting frame and is securely fixed, before tightening the bolt, as shown in pictures 5 & 6.

ISSUE 1 22/01/2016 (AR)

Digital copies of these instructions are available to download from www.rg-racing.com

CONSUMER NOTICE

The catalogue description and any exhibition of samples are only broad indications of the Products and R&G may make design changes which do not diminish their performance or visual appeal and supplying them in such state shall conform to the order. The Buyer acknowledges no representation or warranty (other than as to title) has been given or will apply to the Products other than those in R&G's order or confirmation and the Buyer confirms it has chosen the Products as being of merchantable quality and suitable for its particular purposes. Where R&G fits the Products or undertakes other services it shall exercise reasonable skill and care and rectify any fault free of charge unless the workmanship has been disturbed. The Buyer is responsible for ensuring that the warranty on the motorcycle is not affected by the fitting of the Products. On return of any defective Products R&G shall at its option either supply a replacement or refund the purchase money but shall not be liable if the Products have been modified or used or maintained otherwise than in accordance with R&G's or manufacturer's instructions and good engineering practice or if the defect arises from accident or neglect. Other than identified above and subject to R&G not limiting its liability for causing death and personal injury, it shall not be liable for indirect or consequential loss and otherwise its liability shall be limited to the amounts paid by the Buyer for the Products or the fitting or service concerned. These terms do not affect the Buyer's statutory rights.

R&G RACING RETURNS POLICY (NON-FAULTY GOODS)

Returns must be pre-authorized (if not pre-authorized the return will be rejected). Goods may only be returned direct to us if they were purchased direct from us (customer must prove if necessary). Otherwise to be returned to original vendor. Goods must be in re-sellable condition, in the opinion of R&G Racing. All returns are subject to a 25% restocking and handling fee (25% of the gross value exc. P&P – at the prevailing price at time of purchase). The customer must pay any and all carriage charges. No returns of discontinued products, unless within 14 days of purchase. This policy does not affect your statutory rights and does not refer to faulty goods.



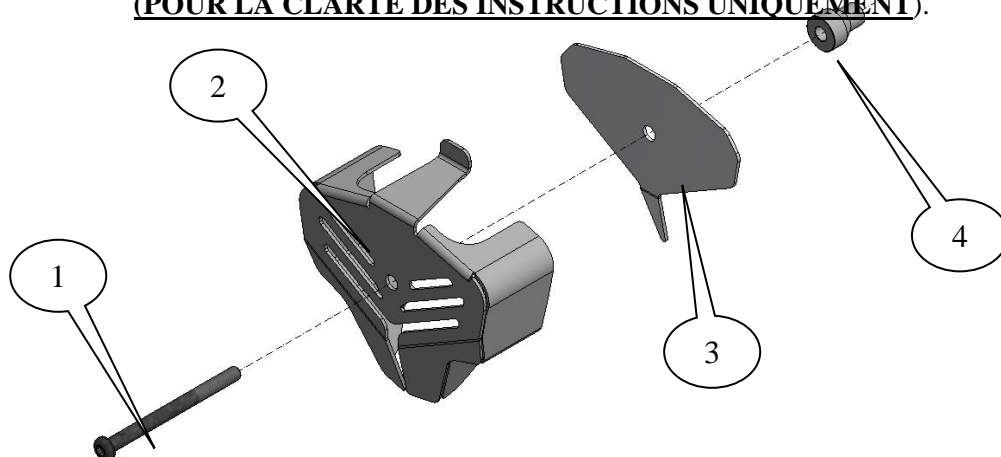
NOTICE DE MONTAGE POUR ICC0001
COUVERCLE DE BOBINE D'ALLUMAGE POUR HARLEY DAVIDSON STREET 500
'14- & STREET 750 '15-



Le kit contient les articles exposés ci-dessous, vérifier que toutes les pièces soient présentes avant de procéder au montage.

La façon dont le kit est emballé ne correspond pas forcément à la façon de monter les pièces sur la moto.

LES PARTIES PRESENTEES PEUVENT ETRE UNIQUEMENT REPRESENTATIVES (POUR LA CLARTE DES INSTRUCTIONS UNIQUEMENT).





LEGENDE

- ARTICLE 1 = M6 x 75mm BOULON (x1).
 ARTICLE 2 = COUVERCLE ALUMINIUM (SMW0057) (x1).
 ARTICLE 3 = INSERT BROSSÉ (SMW0058) (x1).
 ARTICLE 4 = ENTRETOISE (S0924 - 20.50mm DE LONG) (x1).

Notez que si les kits sont emballés avec des rondelles en caoutchouc servant à tenir les composants, *ces rondelles doivent être jetées!*

OUTILS REQUIS

- Clé Allen 4 & 5mm.

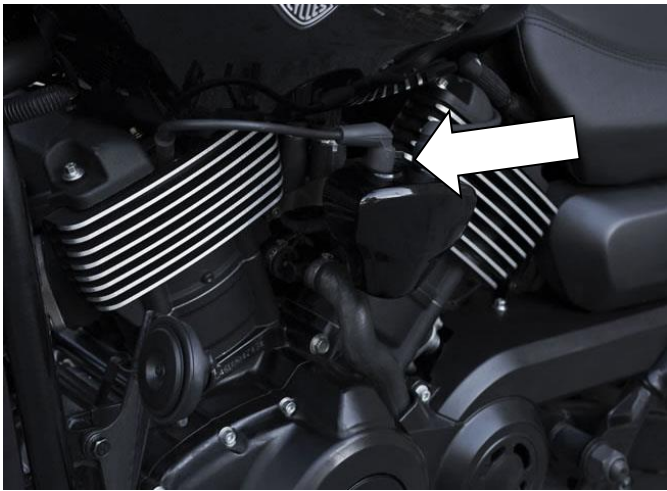


Photo 1



Photo 2

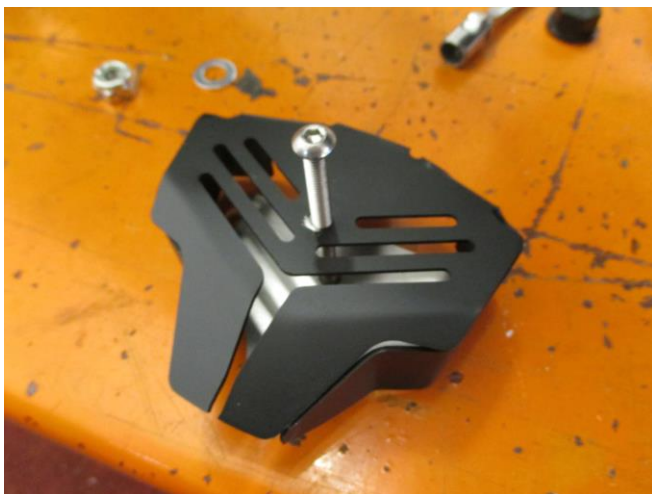


Photo 3



Photo 4

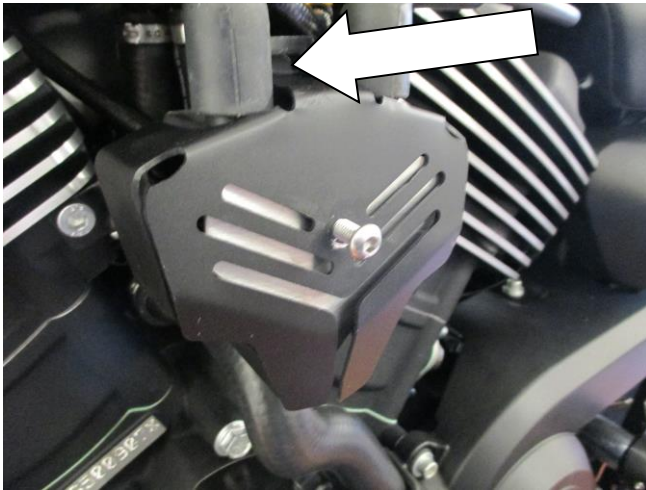


Photo 5



Photo 6

NOTICE DE MONTAGE

- Enlever le couvercle de bobine d'allumage d'origine en plastique, en tirant le bas vers l'extérieur pour le libérer de son bouchon en caoutchouc, puis en le tournant la partie vers le haut pour libérer la languette en plastique sur le dessus, voir photo 1.
- Une fois le couvercle retiré, enlever le boulons inférieur qui fixe le couvercle de bobine, voir photo 2.
- Pour monter le couvercle d'allumage R&G, prendre le couvercle en aluminium (article 2 – SMW0057) puis placer le boulon M6 x 75mm (article 1) dans le trou de fixation, voir photo 3. A l'intérieur du couvercle, positionnez l'insert brossé (article 3 – SMW0058), en veillant à ce que le boulon se place dans le trou et que l'insert se place à plat contre l'intérieur du couvercle.
- Positionner l'entretoise (article 4 – S0924 – 20.50mm de long) sur le filetage exposé à l'intérieur du couvercle (le diamètre plus large de l'entretoise se place contre l'insert brossé) puis respecter la position indiquée sur la photo 4.
- Veillez à ce que l'onglet plié sur le dessus du couvercle se place dans la fente présente sur le cadre de fixation et qu'il soit bien fixé, avant de serrer le boulon, voir photos 5 & 6.

ISSUE 1 22/01/2016 (AR)

Notice disponible au téléchargement sur www.rg-racing.com

CONSUMER NOTICE

The catalogue description and any exhibition of samples are only broad indications of the Products and R&G may make design changes which do not diminish their performance or visual appeal and supplying them in such state shall conform to the order. The Buyer acknowledges no representation or warranty (other than as to title) has been given or will apply to the Products other than those in R&G's order or confirmation and the Buyer confirms it has chosen the Products as being of merchantable quality and suitable for its particular purposes. Where R&G fits the Products or undertakes other services it shall exercise reasonable skill and care and rectify any fault free of charge unless the workmanship has been disturbed. The Buyer is responsible for ensuring that the warranty on the motorcycle is not affected by the fitting of the Products. On return of any defective Products R&G shall at its option either supply a replacement or refund the purchase money but shall not be liable if the Products have been modified or used or maintained otherwise than in accordance with R&G's or manufacturer's instructions and good engineering practice or if the defect arises from accident or neglect. Other than identified above and subject to R&G not limiting its liability for causing death and personal injury, it shall not be liable for indirect or consequential loss and otherwise its liability shall be limited to the amounts paid by the Buyer for the Products or the fitting or service concerned. These terms do not affect the Buyer's statutory rights.

R&G RACING RETURNS POLICY (NON-FAULTY GOODS)

Returns must be pre-authorized (if not pre-authorized the return will be rejected). Goods may only be returned direct to us if they were purchased direct from us (customer must prove if necessary). Otherwise will be returned to original vendor. Goods must be in re-sellable condition, in the opinion of R&G Racing. All returns are subject to a 25% restocking and handling fee (25% of the gross value exc. P&P – at the prevailing price at time of purchase). The customer must pay any and all carriage charges. No returns of discontinued products, unless within 14 days of purchase. This policy does not affect your statutory rights and does not refer to faulty goods.

R&G Racing

Unit 1, Shelley's Lane, East Worldham, Alton, Hampshire, GU34 3AQ

Tel: +44 (0)1420 89007 Fax: +44 (0)1420 87301 www.rg-racing.com Email: info@rg-racing.com